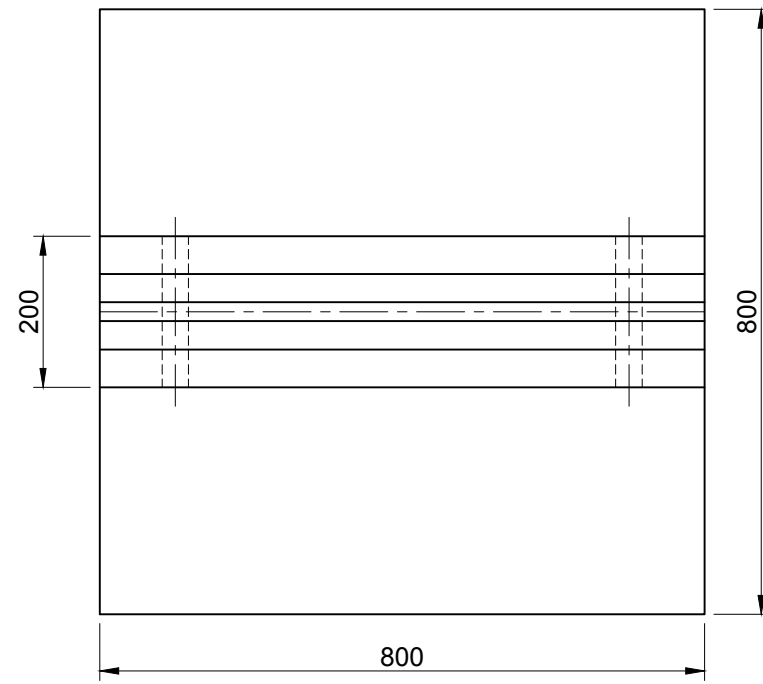
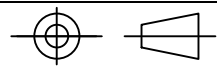
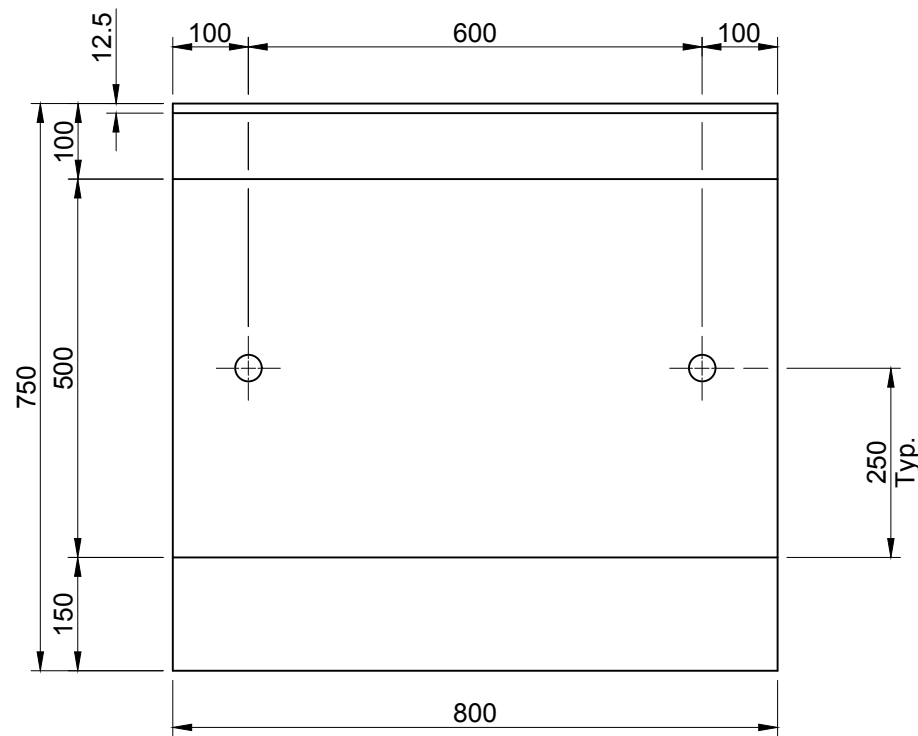


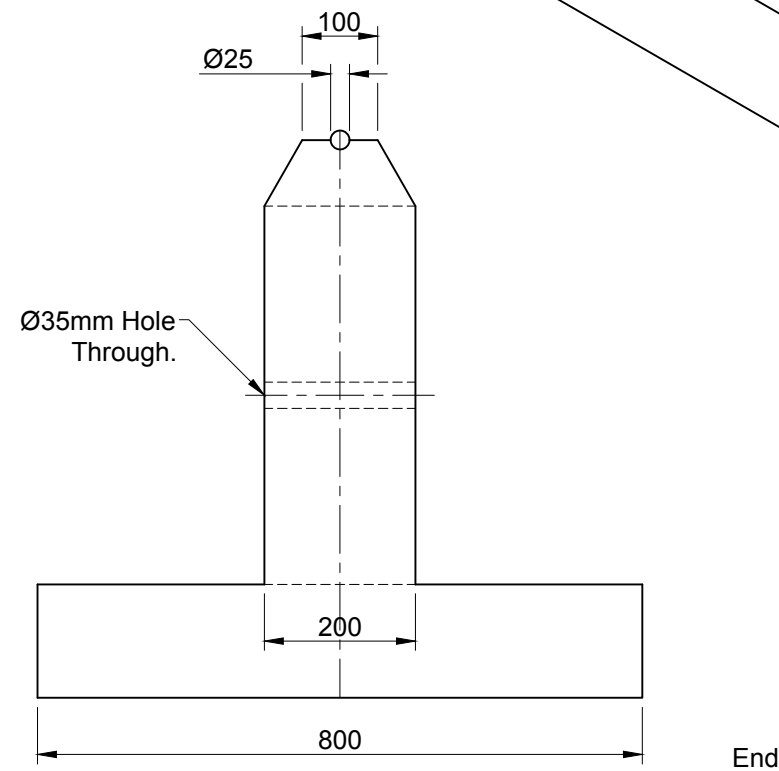
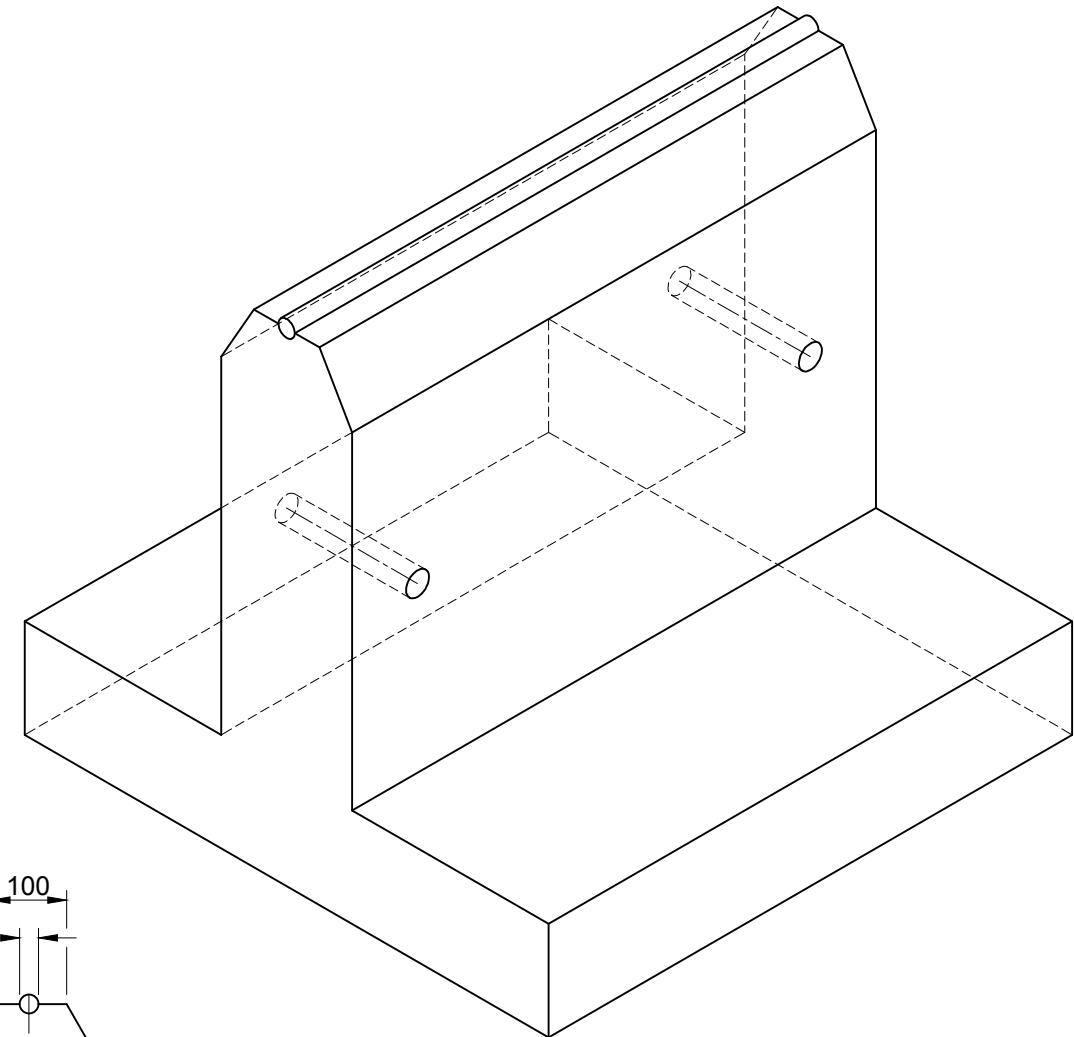
PROJECTION



Plan



Elevation



End

						O	30.10.13	For Information.		CTC RMD			
REV	DATE	REASON FOR ISSUE	DRN	APP	REV	DATE	REASON FOR ISSUE		DRN	APP			
TITLE													
800 x 800 x 750mm Base Sleeper						ELITE PRECAST CONCRETE LIMITED HALESFIELD 9, TELFORD SHROPSHIRE TF7 4QW							
Elite Product Code : 04SPSUP800800750						ELITE PRECAST CONCRETE							
DRN	CTC	CHKD	RMD	DATE	30-10-13	SIZE	A3	SCALE	1:10	DRG	EPC-DRG-123	REV	O